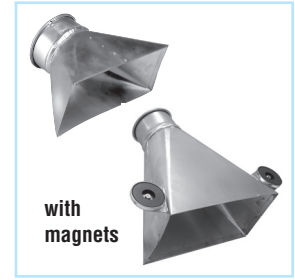


Router Hood | Router Hood with Magnets

Ordering Information

- When ordering, specify material and size. Order magnets if needed.
- Standard rectangular opening is 6"x12".
- Magnet is not available in SS.
- If ordered, two magnets are mounted on each hood.



Ø in.	Std Weight lbs	With Magnets Std Weight lbs
3	2.40	3.40
4	2.85	4.60
5	3.00	5.50
6	3.20	6.40
7	3.50	7.25
8	4.00	8.50
9	6.20	12.40
10	8.50	17.00

QF Material Options

Galv				SS			
Gauges	Size (in)		Gauges	Size (in)			
	Min. Ø	Max. Ø		Min. Ø	Max. Ø		
Std	22	3	10	Std	22	3	10

Magnet is not available in SS.

Flanged Material Options

Galv				SS			
Gauges	Size (in)		Gauges	Size (in)			
	Min. Ø	Max. Ø		Min. Ø	Max. Ø		
Std	22	3	10	Std	22	3	10

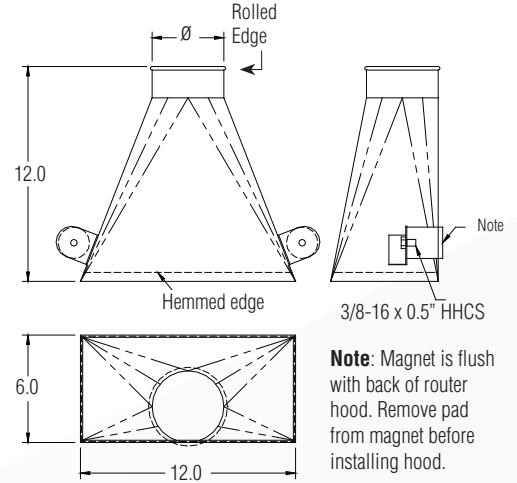
Construction:

Seam: lapped, spot welded, and caulked.

Collars: located on the exterior side of each port and considered as air flow non-directional. Collars have a laser welded longitudinal seam. If air flow directional product is required, it must be stated on the PO and additional cost may be incurred. A raised lap seam and spot weld are used for attaching the collar to the body and no caulking is used. If caulking is required, additional cost may be incurred.

Optional End Styles (Round End)

Standard QF end can be changed to Raw ID (RI), Raw OD (RO), No Fitting (NF), Flat Flange (FFL), Angle Flange (AFL), or Van Stone (VS).



Note: Magnet is flush with back of router hood. Remove pad from magnet before installing hood.

Temperature Rating: Max. temperature limited to 300°F if magnets used, due to physical characteristics of the magnets' Ferrite construction.