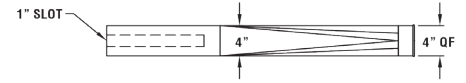
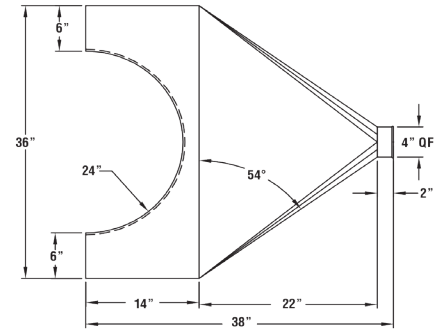
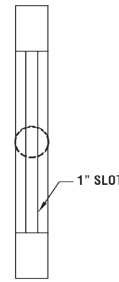
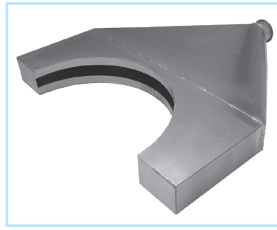


# Barrel Hood

## Ordering Information

- When ordering, specify material, size, and end style.
- Designed to fit 55 gallon drums.



Ø in.	Std Weight Lbs
4	14.5
6	14.5
8	14.5

## QF Material Options

Galv				SS			
Gauges	Size (in)		Gauges	Size (in)			
	Min. Ø	Max. Ø		Min. Ø	Max. Ø		
Std	18	4	8	Std	18	4	8

**Construction:**  
**Seams:** lapped, spot welded, and caulked.

**Optional End Styles**  
 Standard QF end can be changed to Raw ID (RI), Raw OD (RO), No Fitting (NF), Flat Flange (FFL), Angle Flange (AFL), or Van Stone (VS).

## Flanged Material Options

Galv				SS			
Gauges	Size (in)		Gauges	Size (in)			
	Min. Ø	Max. Ø		Min. Ø	Max. Ø		
Std	18	4	8	Std	18	4	8